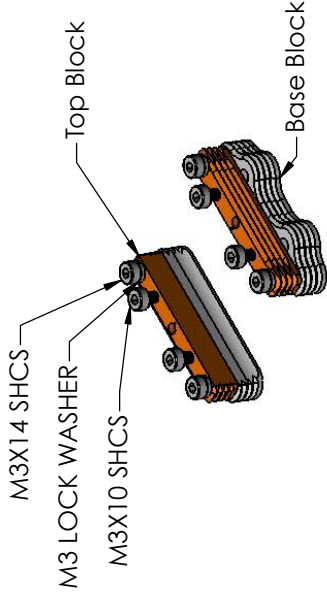


**KP-916  
OFNA Hyper 8  
STANDARD MOTOR MOUNTS  
INSTALLATION INSTRUCTIONS**

FINAL ASSEMBLY

- 1) ASSEMBLE THE MOTOR ONTO THE TOP BLOCKS AND TIGHTEN THE (4) M3 X 10 SCREWS.
- 2) ASSEMBLE THE BASE BLOCKS ONTO THE CHASSIS DO NOT TIGHT - LEAVE LOOSE SO IT IS ABLE TO FLOAT. (4) M4 X 10 MOUNT SCREWS SUPPLIED WITH YOUR KIT
- 3) ASSEMBLE THE TOP BLOCKS AND MOTOR ONTO THE BASE BLOCKS AND TIGHTEN THE (4) M3 X 14 SCREWS.
- 4) ADJUST MOUNT TO GET DESIRED GEAR MESH.
- 5) TIGHTEN (4) M4 X 10 MOUNT SCREWS.

BY REMOVING THE (4) M3 X 14 SCREWS AND LOCK WASHERS IT WILL BE "EZ" TO REMOVE THE MOTOR AND REINSTALL IT WITHOUT A NEED TO RESET THE GEAR MESH.

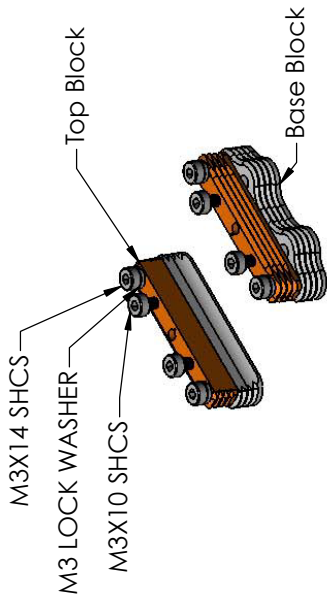


**KP-916  
OFNA Hyper 8  
STANDARD MOTOR MOUNTS  
INSTALLATION INSTRUCTIONS**

FINAL ASSEMBLY

- 1) ASSEMBLE THE MOTOR ONTO THE TOP BLOCKS AND TIGHTEN THE (4) M3 X 10 SCREWS.
- 2) ASSEMBLE THE BASE BLOCKS ONTO THE CHASSIS DO NOT TIGHT - LEAVE LOOSE SO IT IS ABLE TO FLOAT. (4) M4 X 10 MOUNT SCREWS SUPPLIED WITH YOUR KIT
- 3) ASSEMBLE THE TOP BLOCKS AND MOTOR ONTO THE BASE BLOCKS AND TIGHTEN THE (4) M3 X 14 SCREWS.
- 4) ADJUST MOUNT TO GET DESIRED GEAR MESH.
- 5) TIGHTEN (4) M4 X 10 MOUNT SCREWS.

BY REMOVING THE (4) M3 X 14 SCREWS AND LOCK WASHERS IT WILL BE "EZ" TO REMOVE THE MOTOR AND REINSTALL IT WITHOUT A NEED TO RESET THE GEAR MESH.



**KP-916  
OFNA Hyper 8  
STANDARD MOTOR MOUNTS  
INSTALLATION INSTRUCTIONS**

FINAL ASSEMBLY

- 1) ASSEMBLE THE MOTOR ONTO THE TOP BLOCKS AND TIGHTEN THE (4) M3 X 10 SCREWS.
- 2) ASSEMBLE THE BASE BLOCKS ONTO THE CHASSIS DO NOT TIGHT - LEAVE LOOSE SO IT IS ABLE TO FLOAT. (4) M4 X 10 MOUNT SCREWS SUPPLIED WITH YOUR KIT
- 3) ASSEMBLE THE TOP BLOCKS AND MOTOR ONTO THE BASE BLOCKS AND TIGHTEN THE (4) M3 X 14 SCREWS.
- 4) ADJUST MOUNT TO GET DESIRED GEAR MESH.
- 5) TIGHTEN (4) M4 X 10 MOUNT SCREWS.

BY REMOVING THE (4) M3 X 14 SCREWS AND LOCK WASHERS IT WILL BE "EZ" TO REMOVE THE MOTOR AND REINSTALL IT WITHOUT A NEED TO RESET THE GEAR MESH.